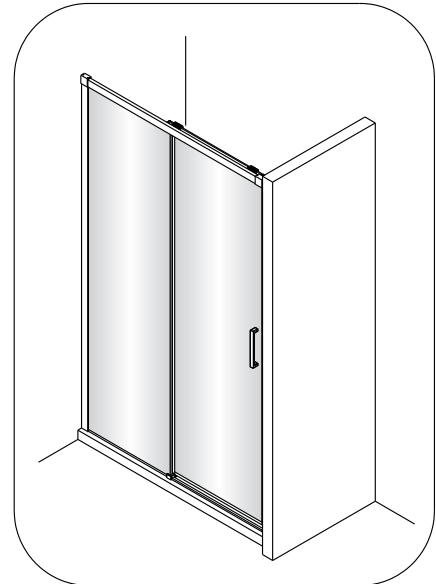
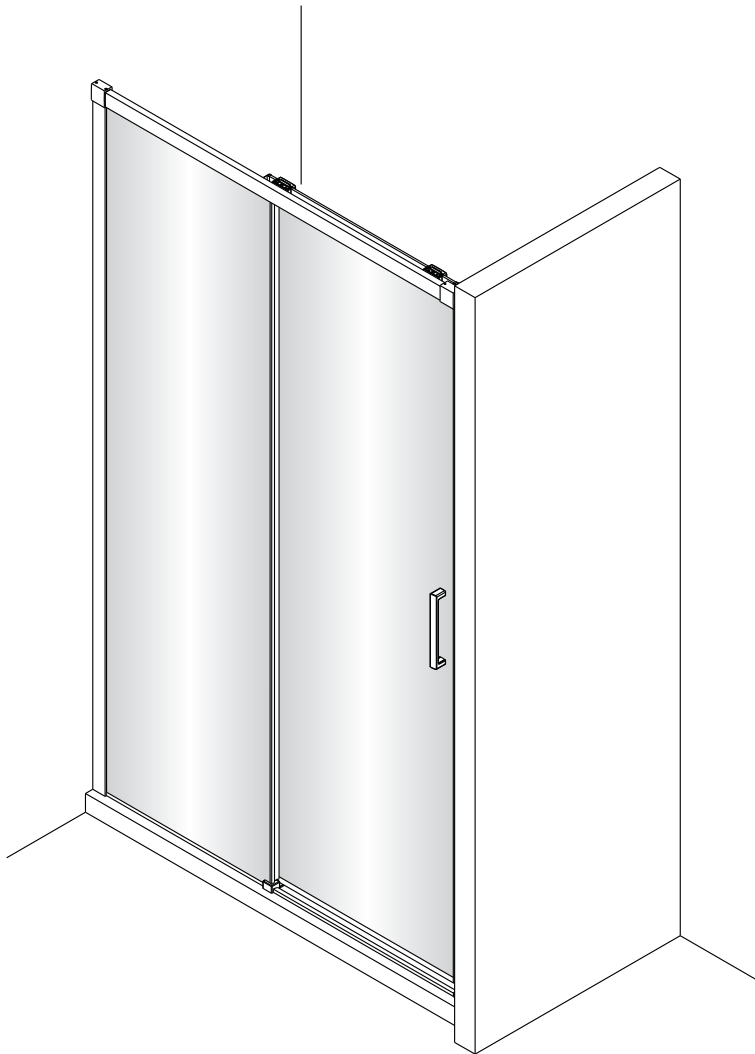




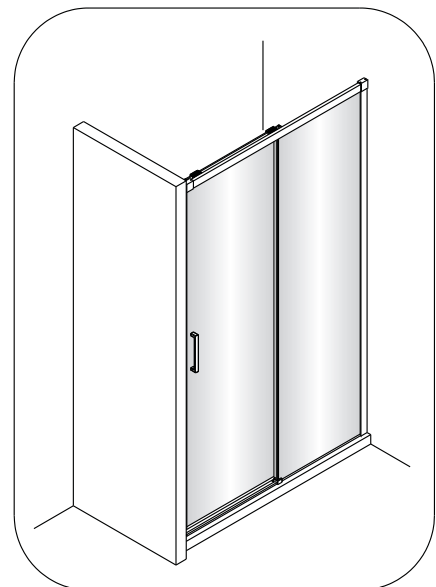
Produits Neptune

SELLA 48 - SELLA 60

Guide d'installation / Installation manual



Gauche / Left



Droit / Right

6835, PICARD
SAINTHYACINTHE (QUEBEC) J2S 1H3
CANADA

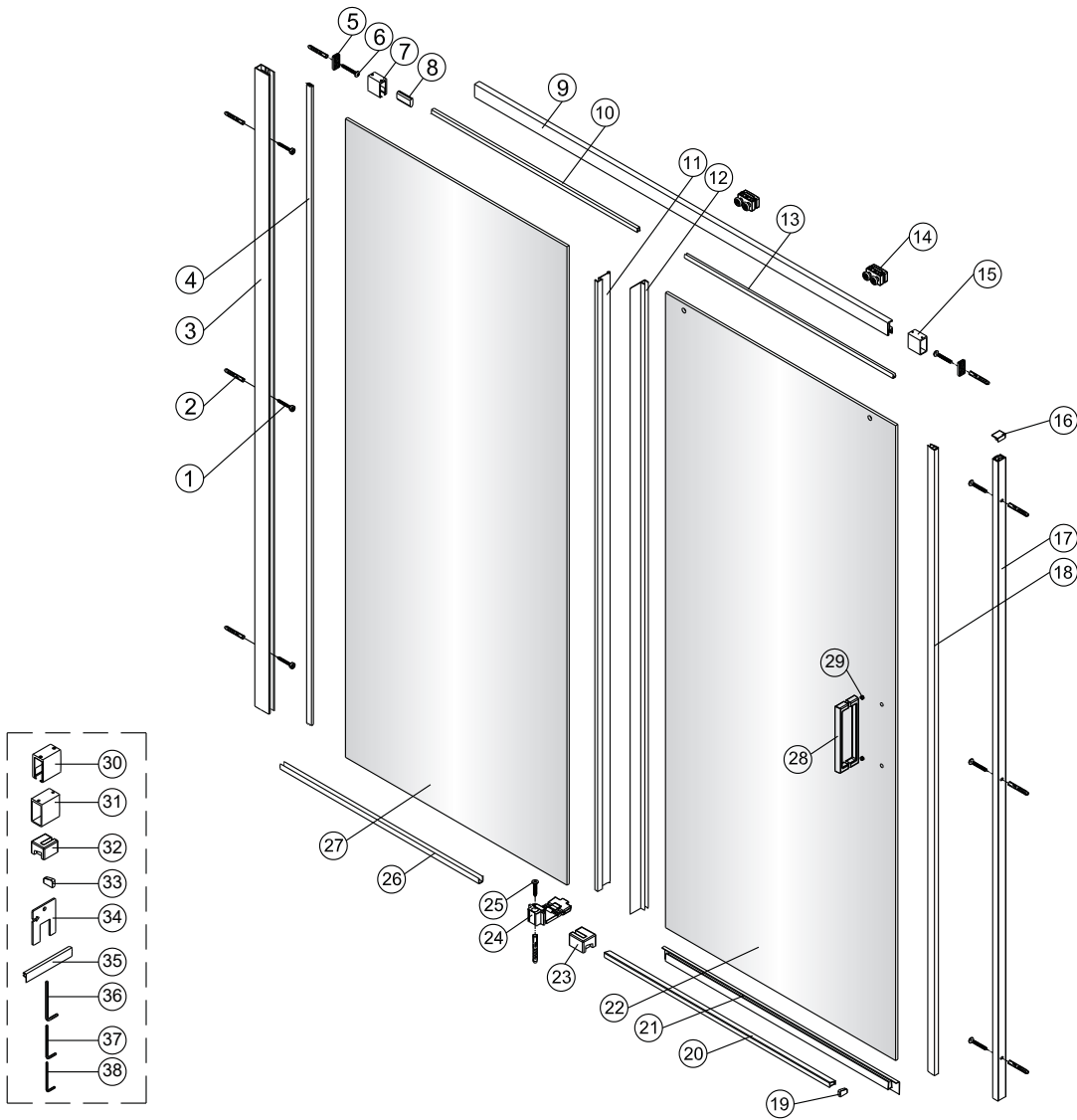
TELEPHONE : 450 773 7058
TELECOPIE / FAX : 450 773 5063
SANS FRAIS / TOLL FREE: 1 888 366 7058

produitsneptune.com

** Pour l'installation avec un panneau de retour en verre, consulter préalablement le guide d'installation du panneau de retour avant de procéder à l'installation des panneaux de façade.

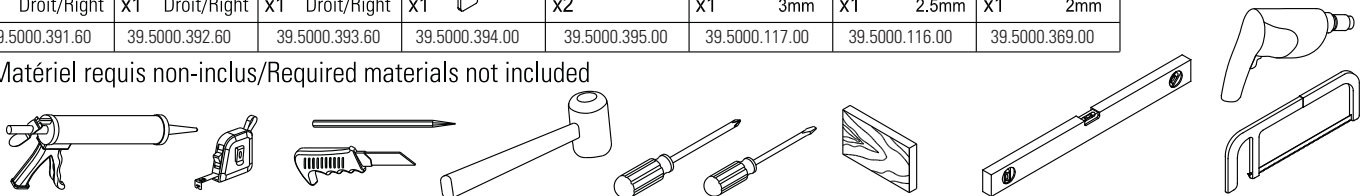
**For installation with a glass return panel, first consult the installation guide of the return panel before installing the front panels.

Modèle / Model	Code	Boîte # / Box #	Composante / Component	Code	LOT
SELLA 48	31.1324.052.30	1	SELLA 48 CHR/CL	31.1324.052.30	LOT #0

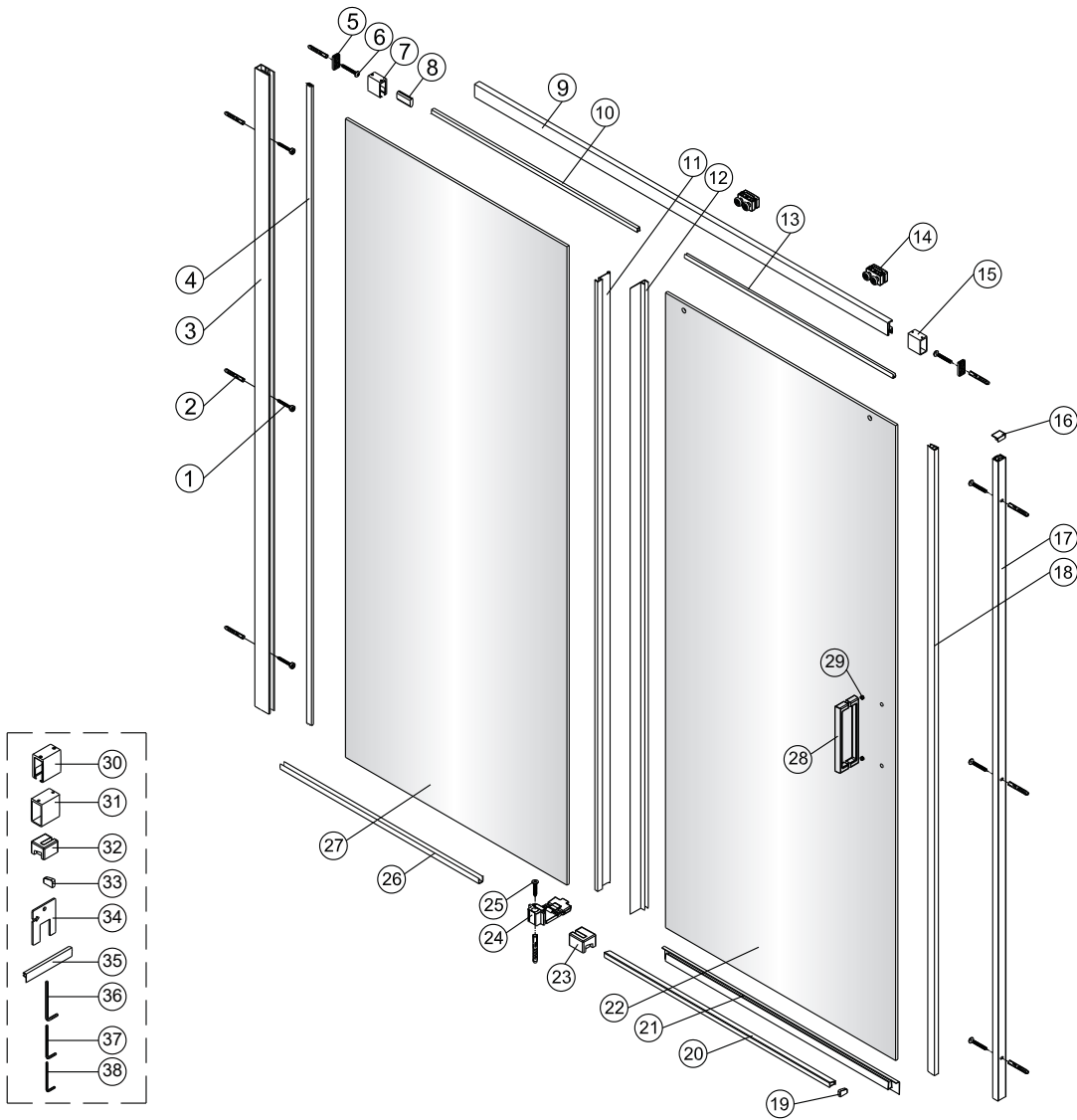


1 x3 ST4X60 39.5000.359.00	2 x9 39.5000.360.00	3 x1 39.2000.237.60	4 x1 39.3000.215.00	5 x2 39.5000.375.00	6 x5 ST4X60 39.5000.376.00	7 x1 Gauche/Left 39.5000.377.60	8 x1 39.5000.378.00	9 x1 39.5000.379.60	10 x1 39.5000.380.00
11 x1 39.3000.216.00	12 x1 39.3000.217.00	13 x1 39.5000.387.00	14 x2 39.5000.381.60	15 x1 Gauche/Left 39.5000.382.60	16 x1 39.5000.383.00	17 x1 39.2000.241.60	18 x1 39.3000.218.00	19 x1 Gauche/Left 39.5000.384.60	20 x1 39.2000.242.60
21 x1 39.3000.220.00	22 x1 39.9000.238.78	23 x1 Gauche/Left 39.5000.388.60	24 x1 39.5000.389.00	25 x1 ST4X30 39.5000.225.00	26 x1 39.2000.244.60	27 x1 39.9000.236.78	28 x1 39.6000.120.60	29 x1 39.6000.119.60	30 x1 Droit/Right 39.5000.390.60
31 x1 Droit/Right 39.5000.391.60	32 x1 Droit/Right 39.5000.392.60	33 x1 Droit/Right 39.5000.393.60	34 x1 39.5000.394.00	35 x2 39.5000.395.00	36 x1 3mm 39.5000.117.00	37 x1 2.5mm 39.5000.116.00	38 x1 2mm 39.5000.369.00		

Matériel requis non-inclus/Required materials not included

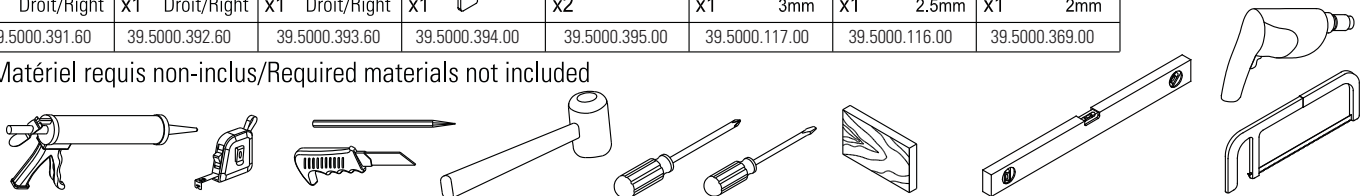


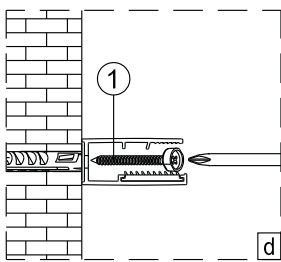
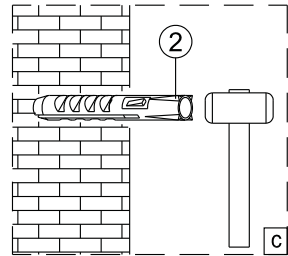
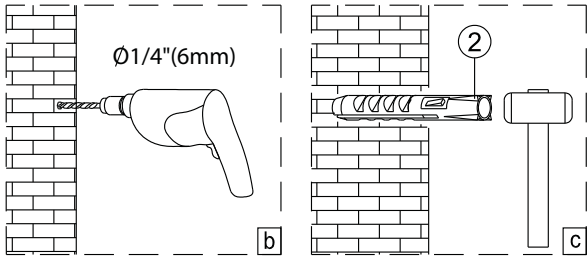
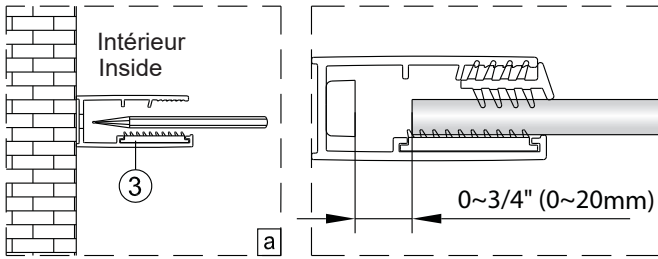
Modèle / Model	Code	Boîte # / Box #	Composante / Component	Code	LOT
SELLA 60	31.1324.062.30	1	SELLA 60 CHR/CL	31.1324.062.30	LOT #0



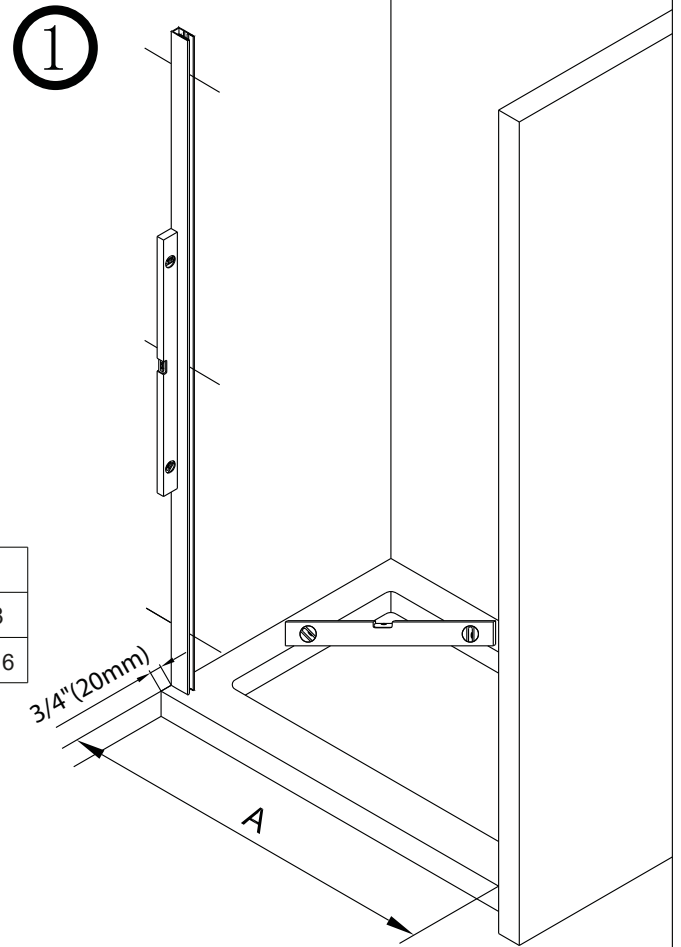
1 x3 ST4X60 39.5000.359.00	2 x9 39.5000.360.00	3 x1 39.2000.237.60	4 x1 39.3000.215.00	5 x2 39.5000.375.00	6 x5 ST4X60 39.5000.376.00	7 x1 Gauche/Left 39.5000.377.60	8 x1 39.5000.378.00	9 x1 39.5000.404.60	10 x1 39.5000.405.00
11 x1 39.3000.216.00	12 x1 39.3000.217.00	13 x1 39.5000.403.00	14 x2 39.5000.381.60	15 x1 Gauche/Left 39.5000.382.60	16 x1 39.5000.383.00	17 x1 39.2000.241.60	18 x1 39.3000.218.00	19 x1 Gauche/Left 39.5000.384.60	20 x1 39.2000.243.60
21 x1 39.3000.219.00	22 x1 39.9000.239.78	23 x1 Gauche/Left 39.5000.388.60	24 x1 39.5000.389.00	25 x1 ST4X30 39.5000.225.00	26 x1 39.2000.245.60	27 x1 39.9000.237.78	28 x1 39.6000.120.60	29 x1 39.6000.119.60	30 x1 Droit/Right 39.5000.390.60
31 x1 Droit/Right 39.5000.391.60	32 x1 Droit/Right 39.5000.392.60	33 x1 Droit/Right 39.5000.393.60	34 x1 39.5000.394.00	35 x2 39.5000.395.00	36 x1 3mm 39.5000.117.00	37 x1 2.5mm 39.5000.116.00	38 x1 2mm 39.5000.369.00		

Matériel requis non-inclus/Required materials not included

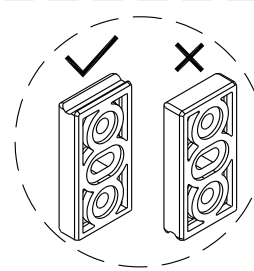
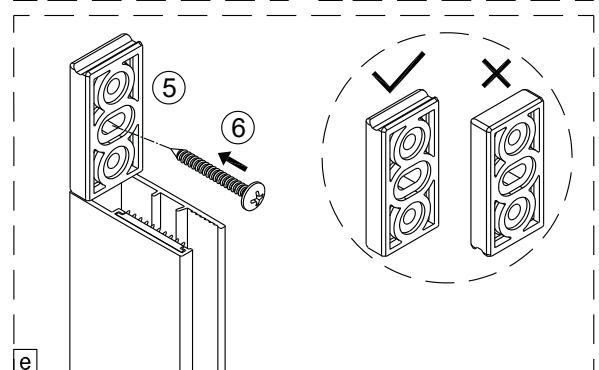
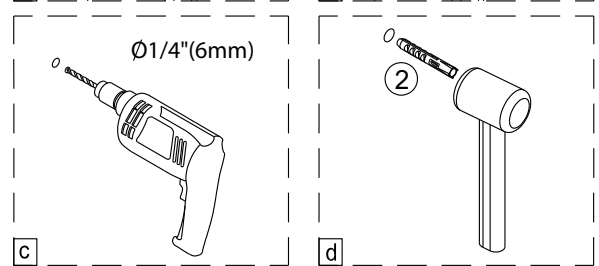
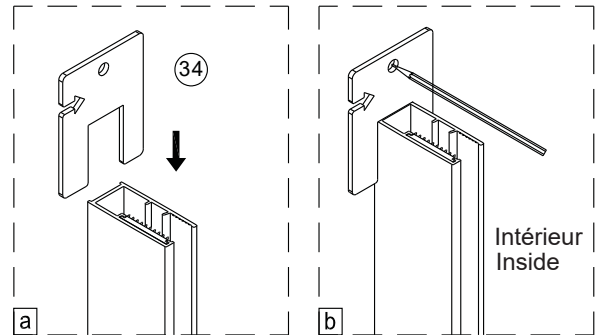
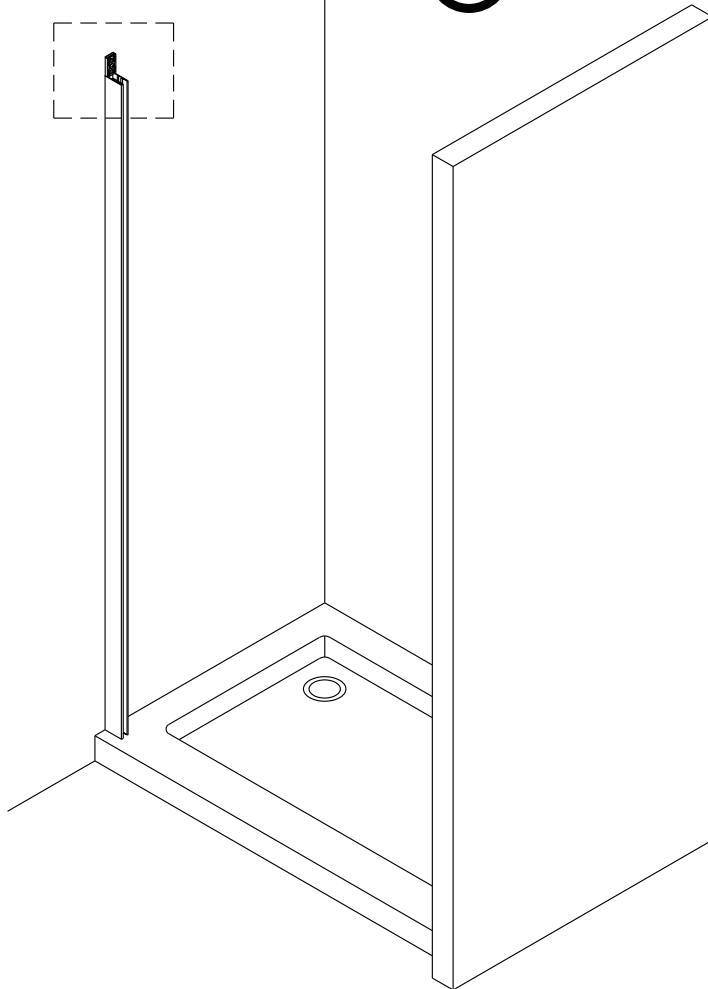




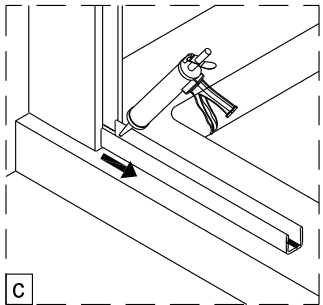
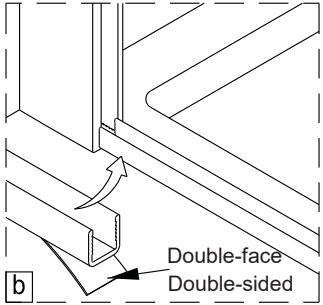
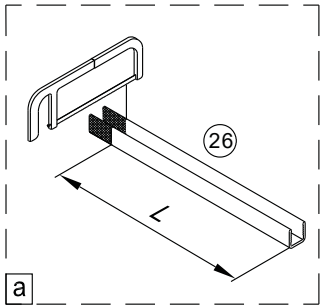
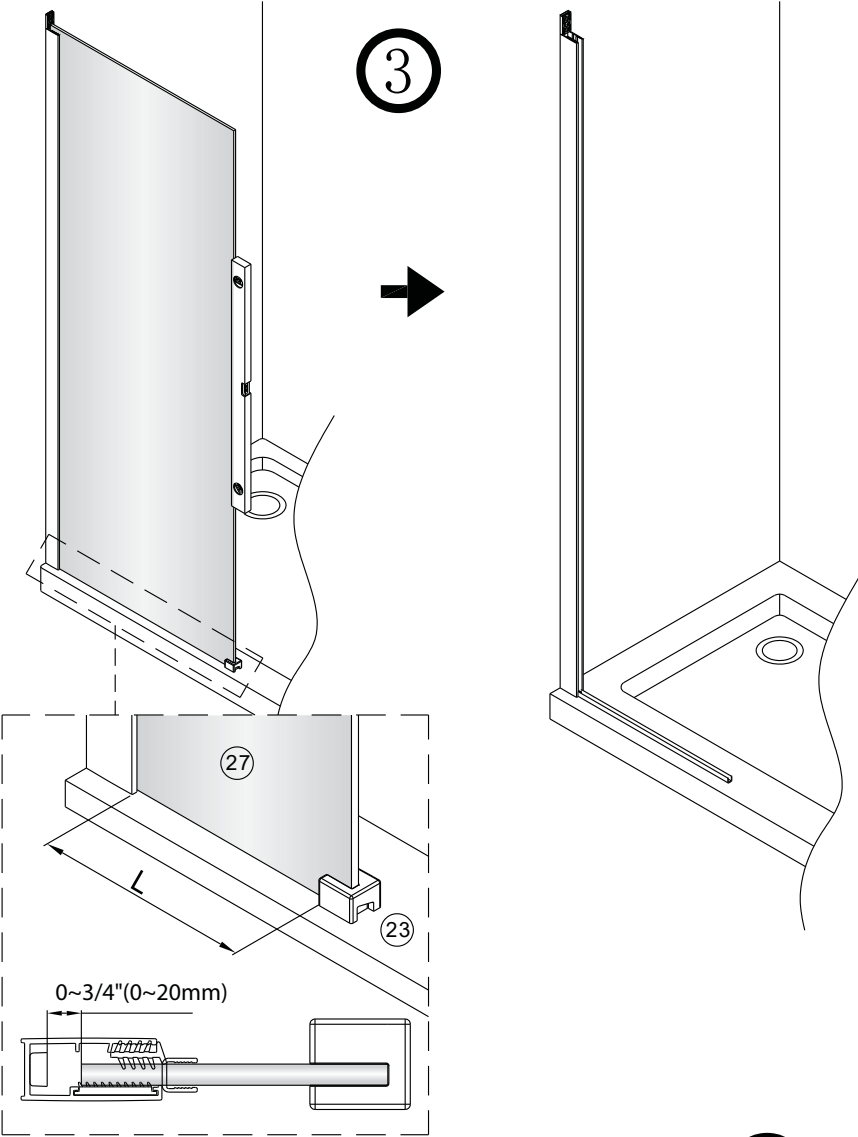
	A(mm)	A(po/in)
SELLA 48	1155~1190	45 1/2~46 7/8
SELLA 60	1455~1490	57 1/4~58 11/16



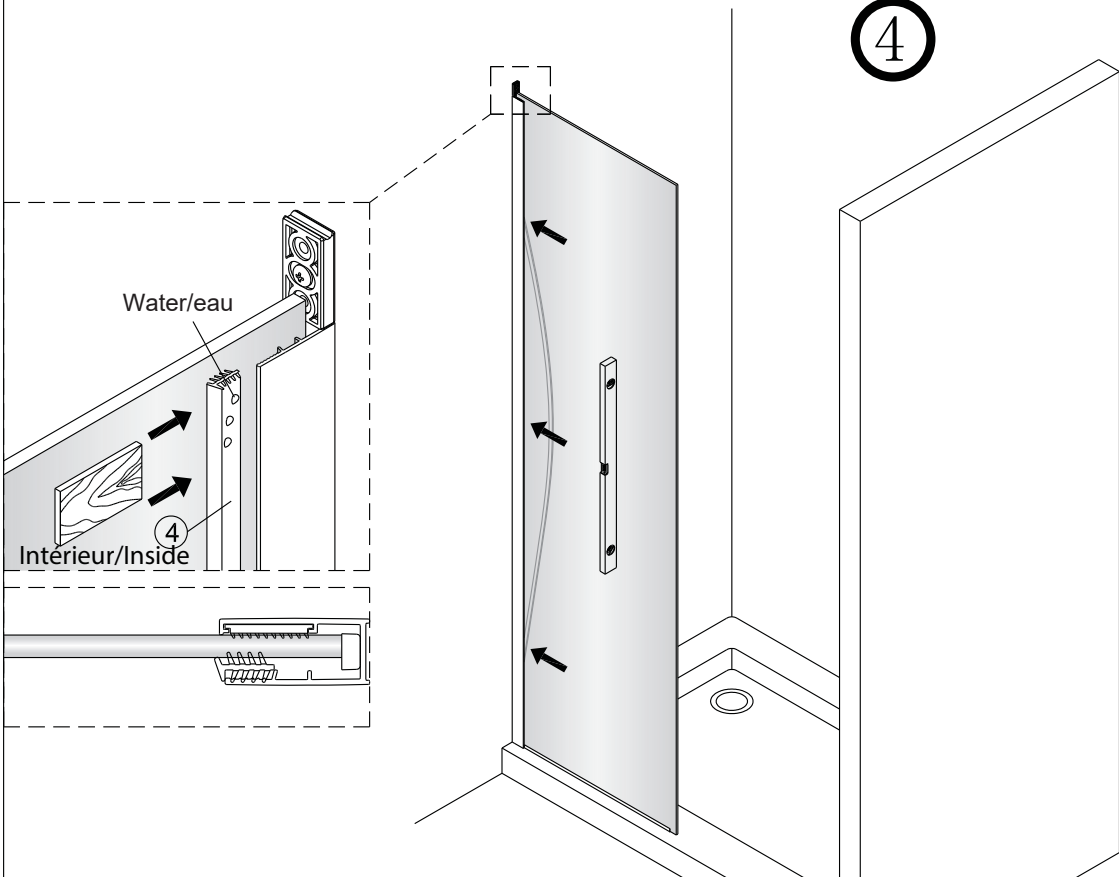
2

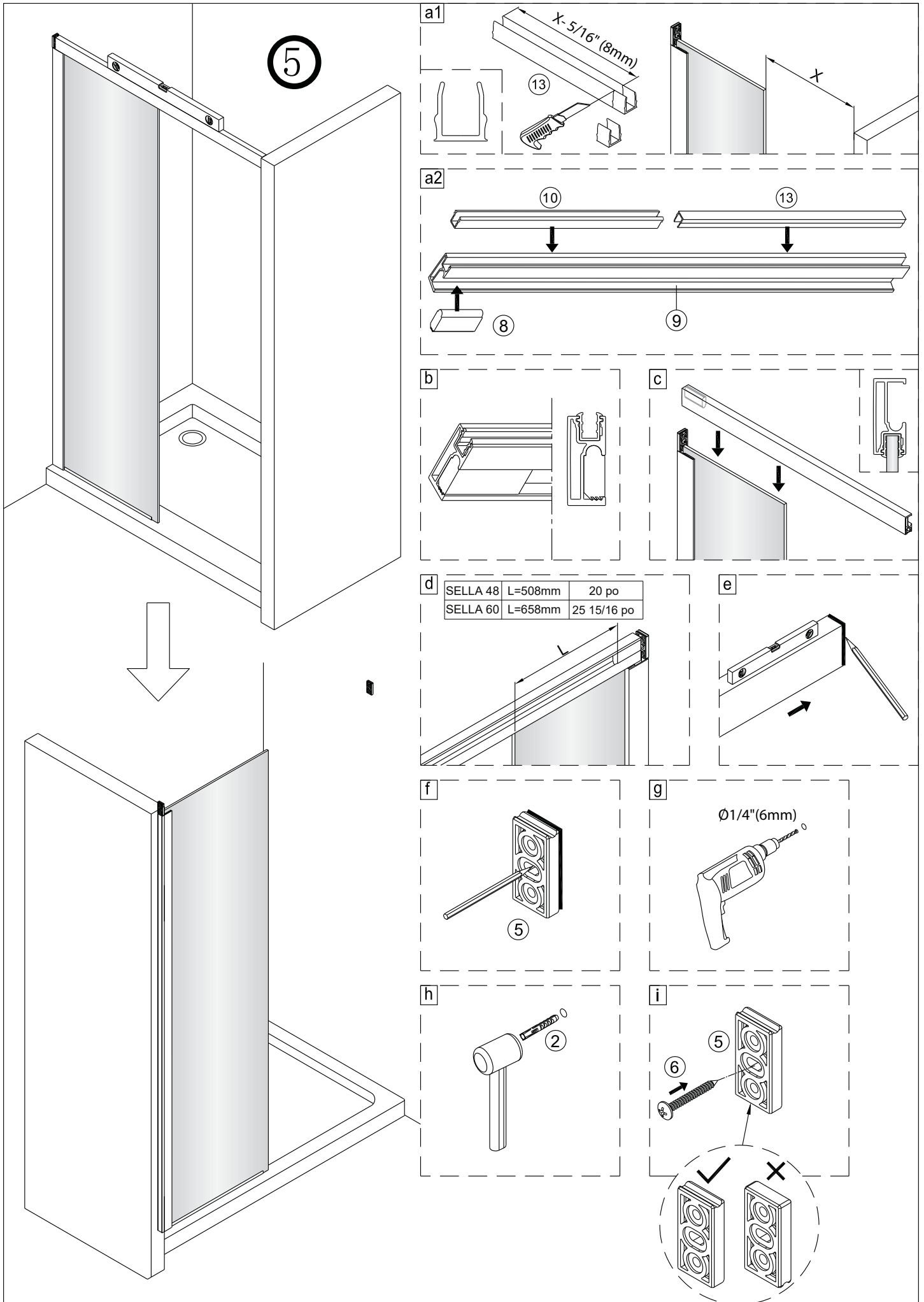


3

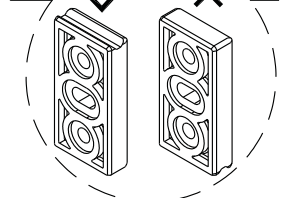
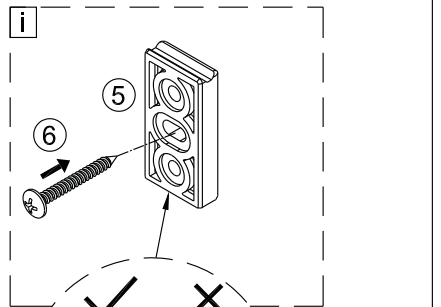
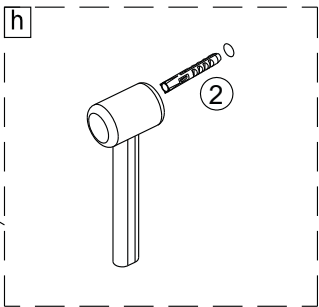
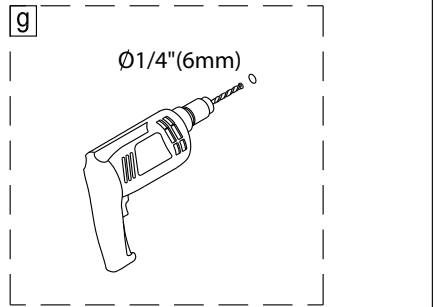
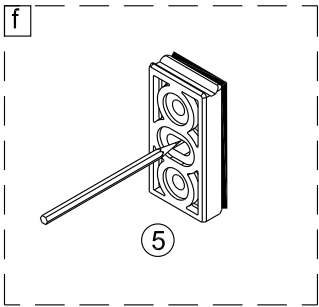
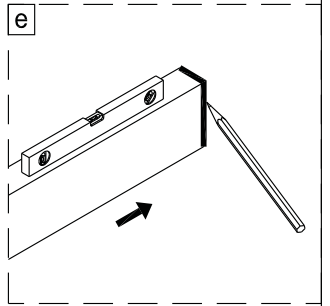
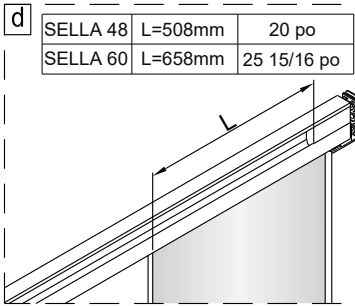
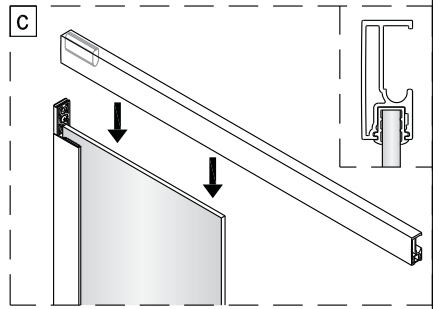
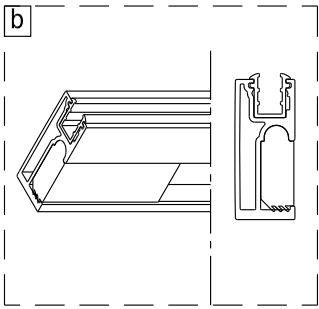
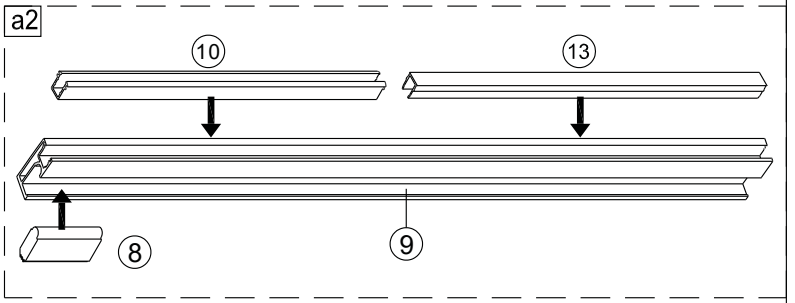
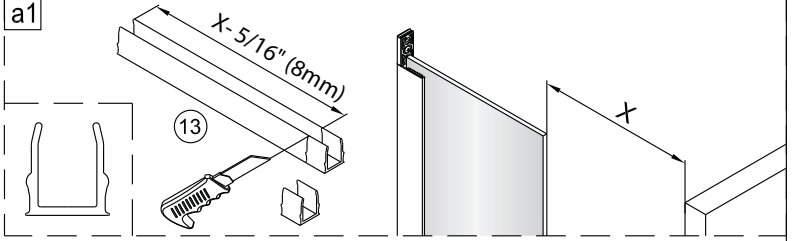


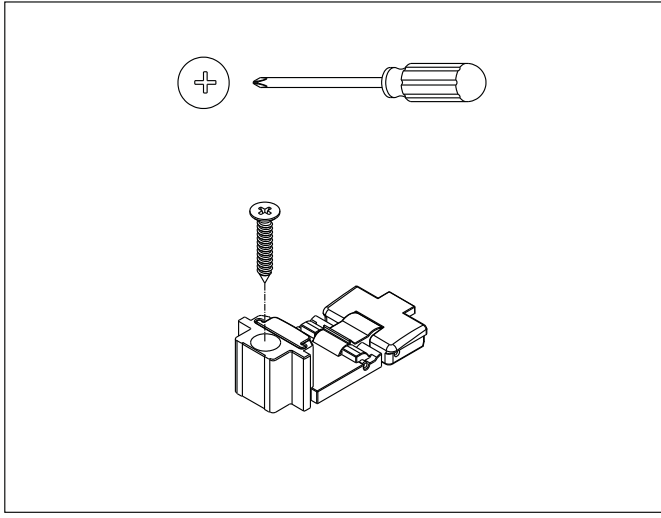
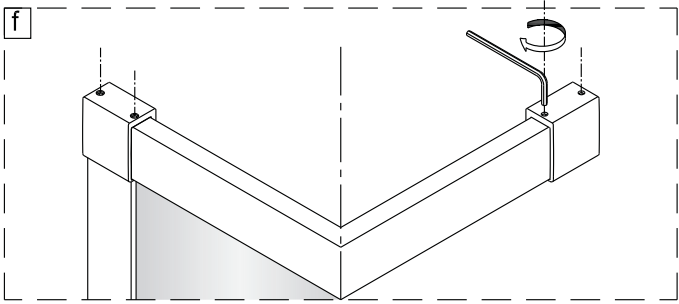
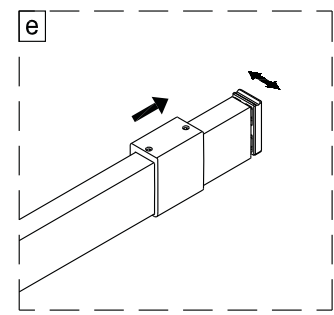
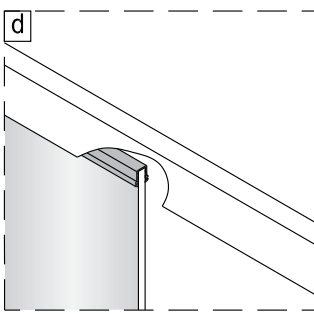
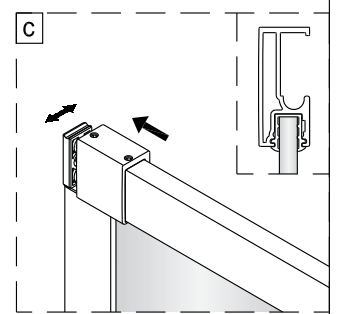
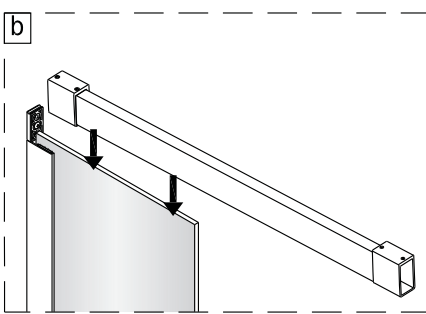
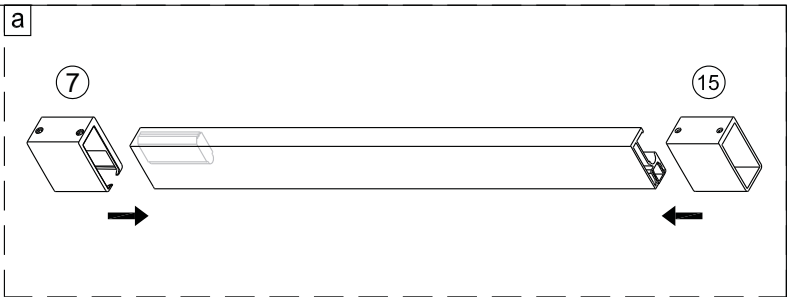
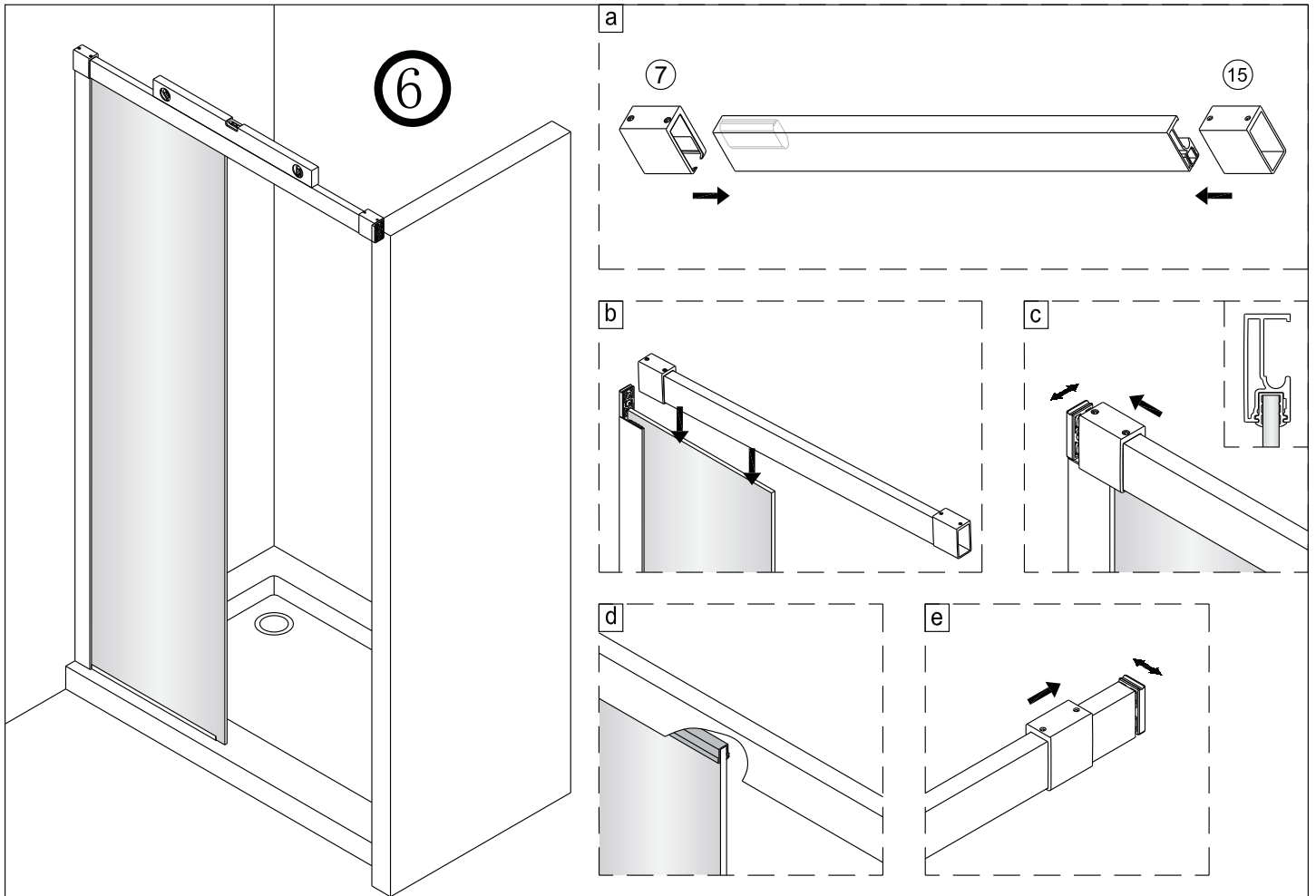
4



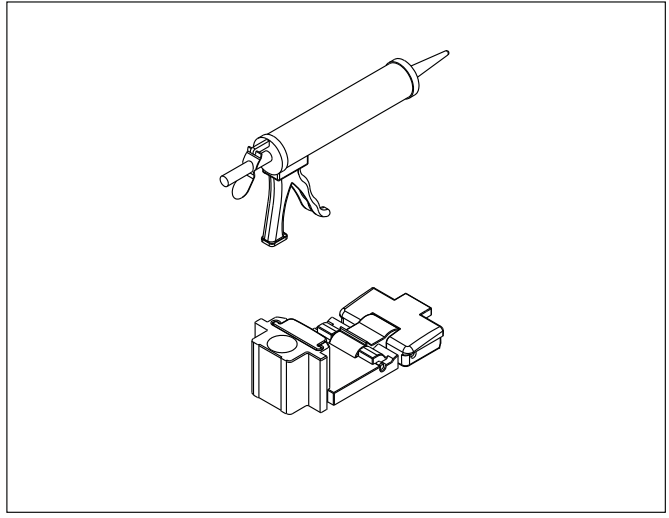


5

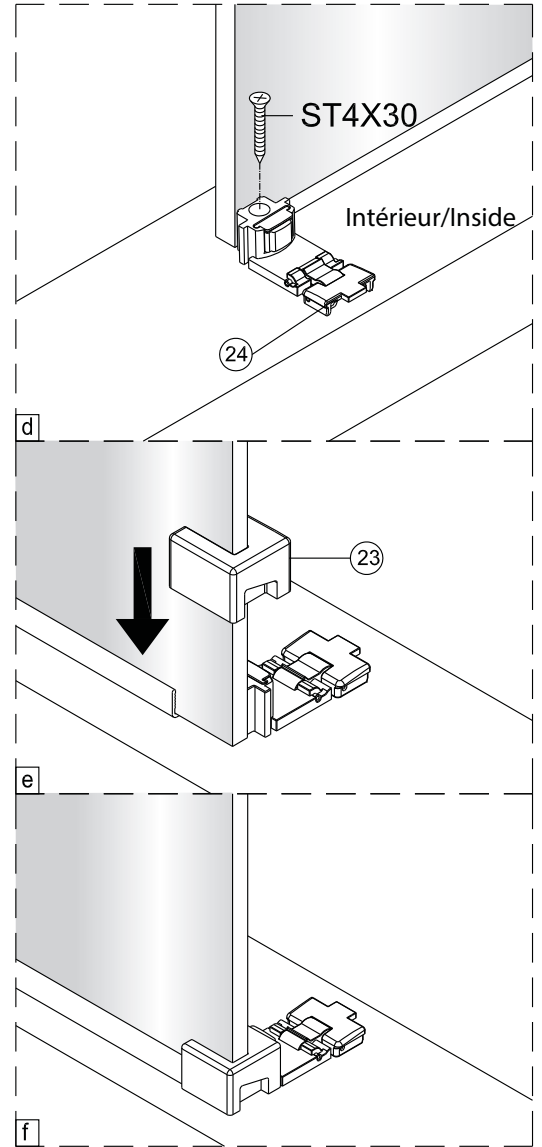
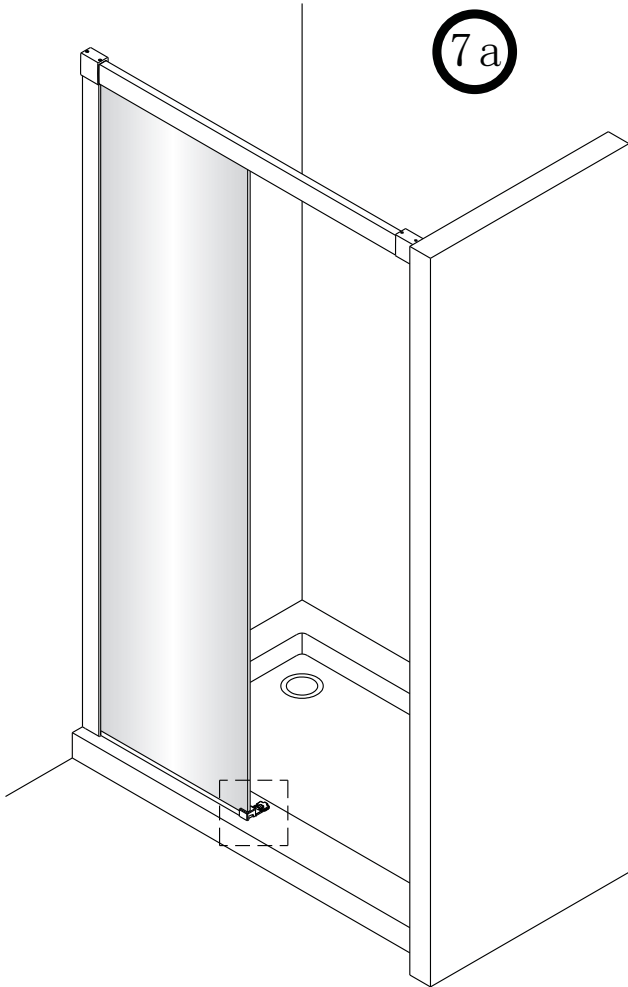
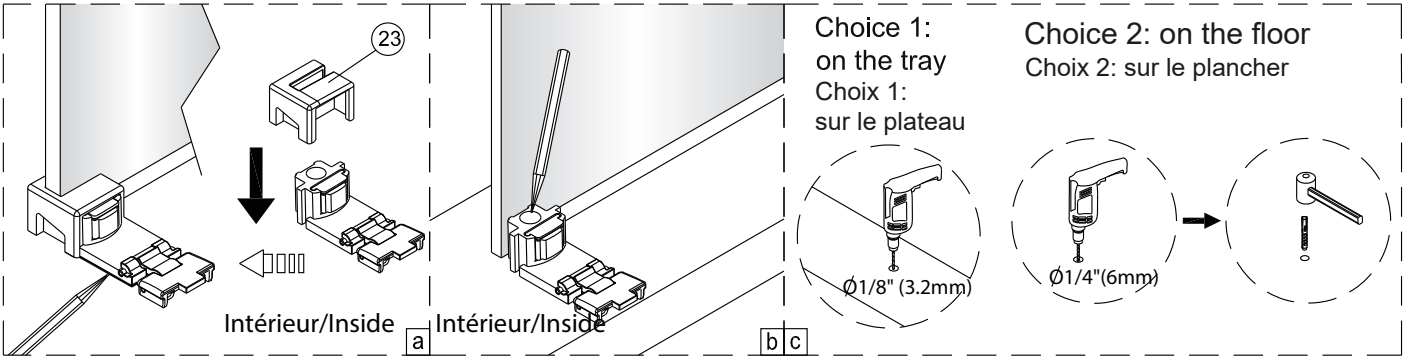


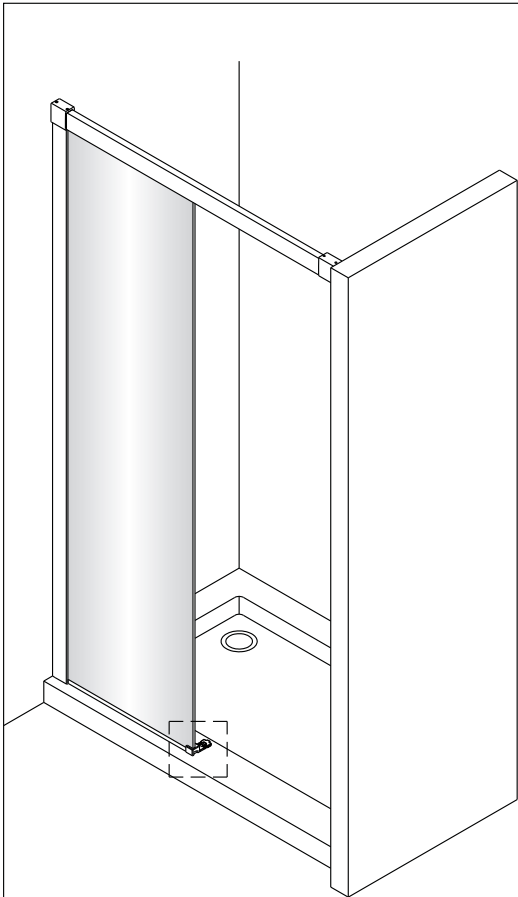


↓
P7a

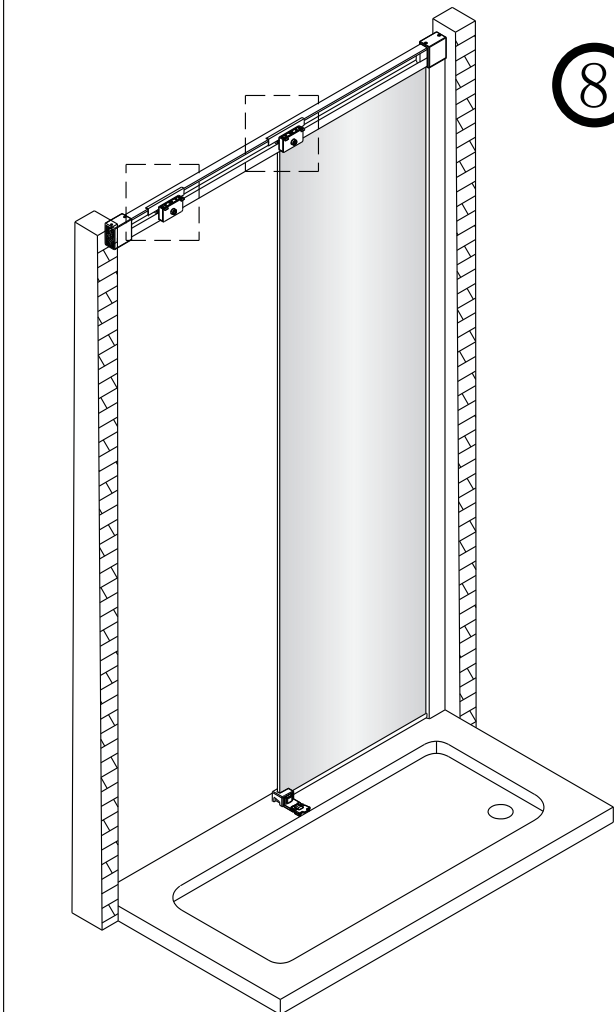
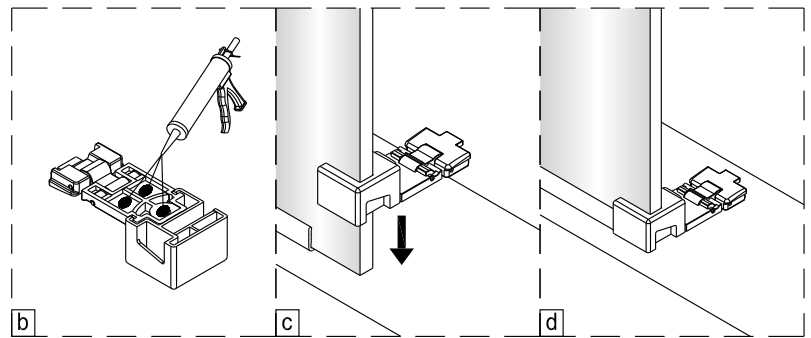
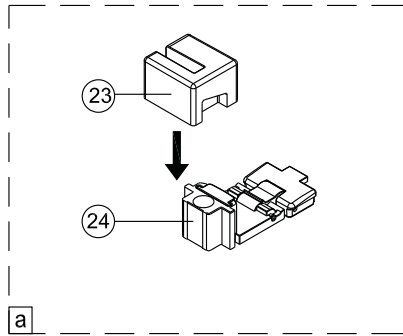


↓
P7b

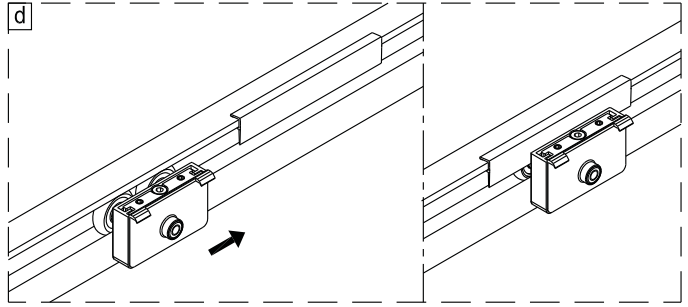
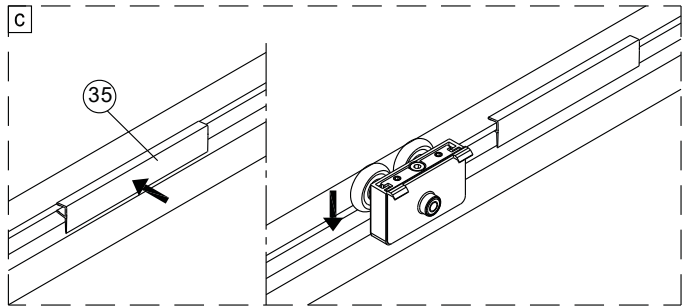
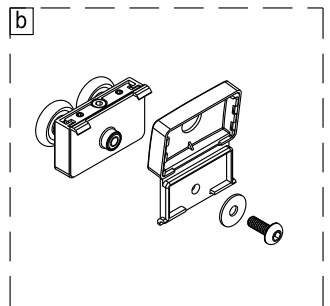
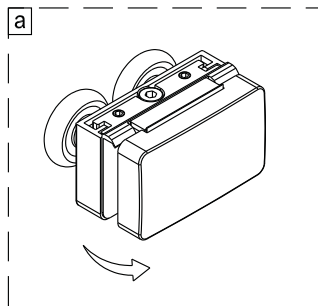


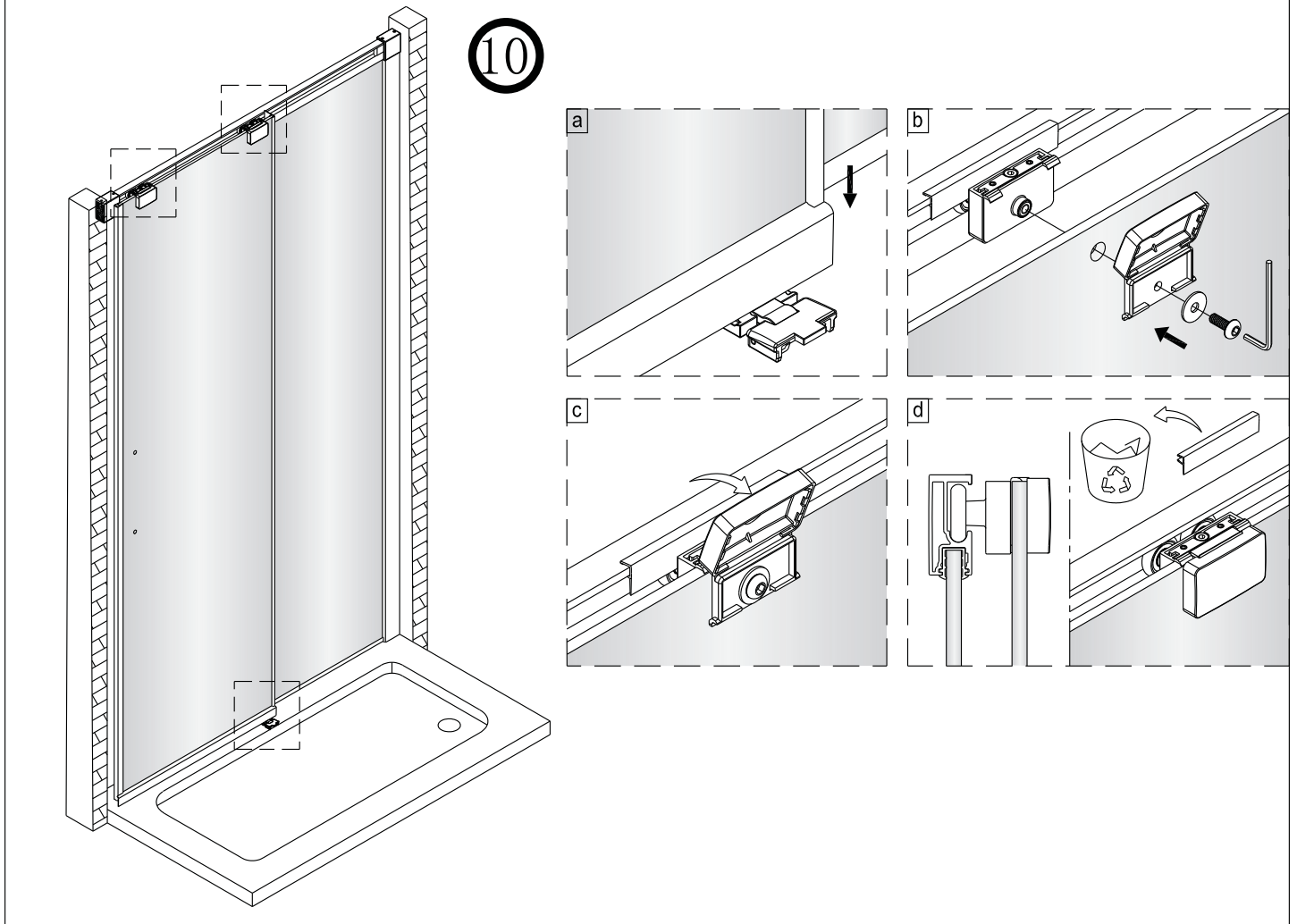
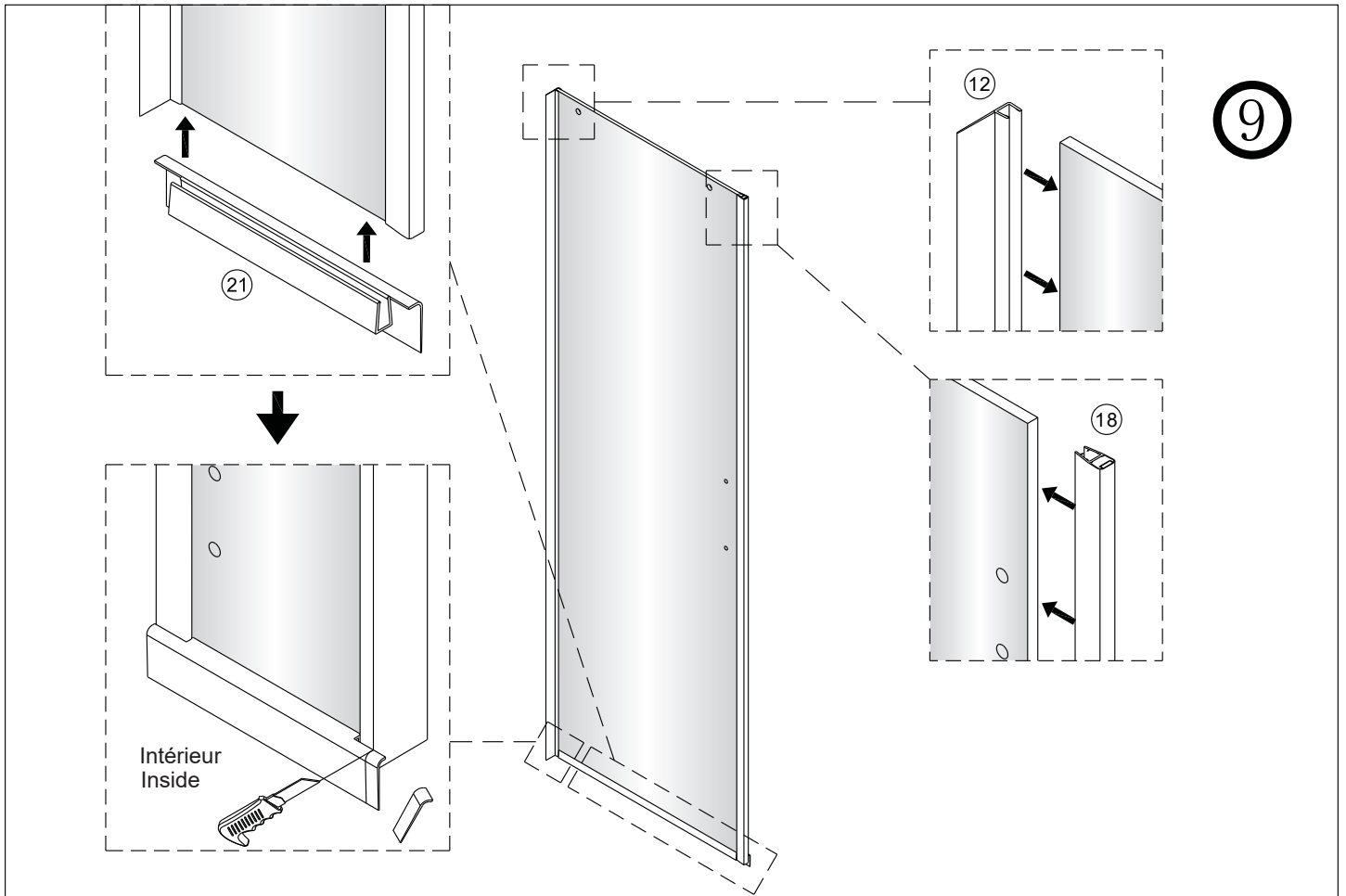


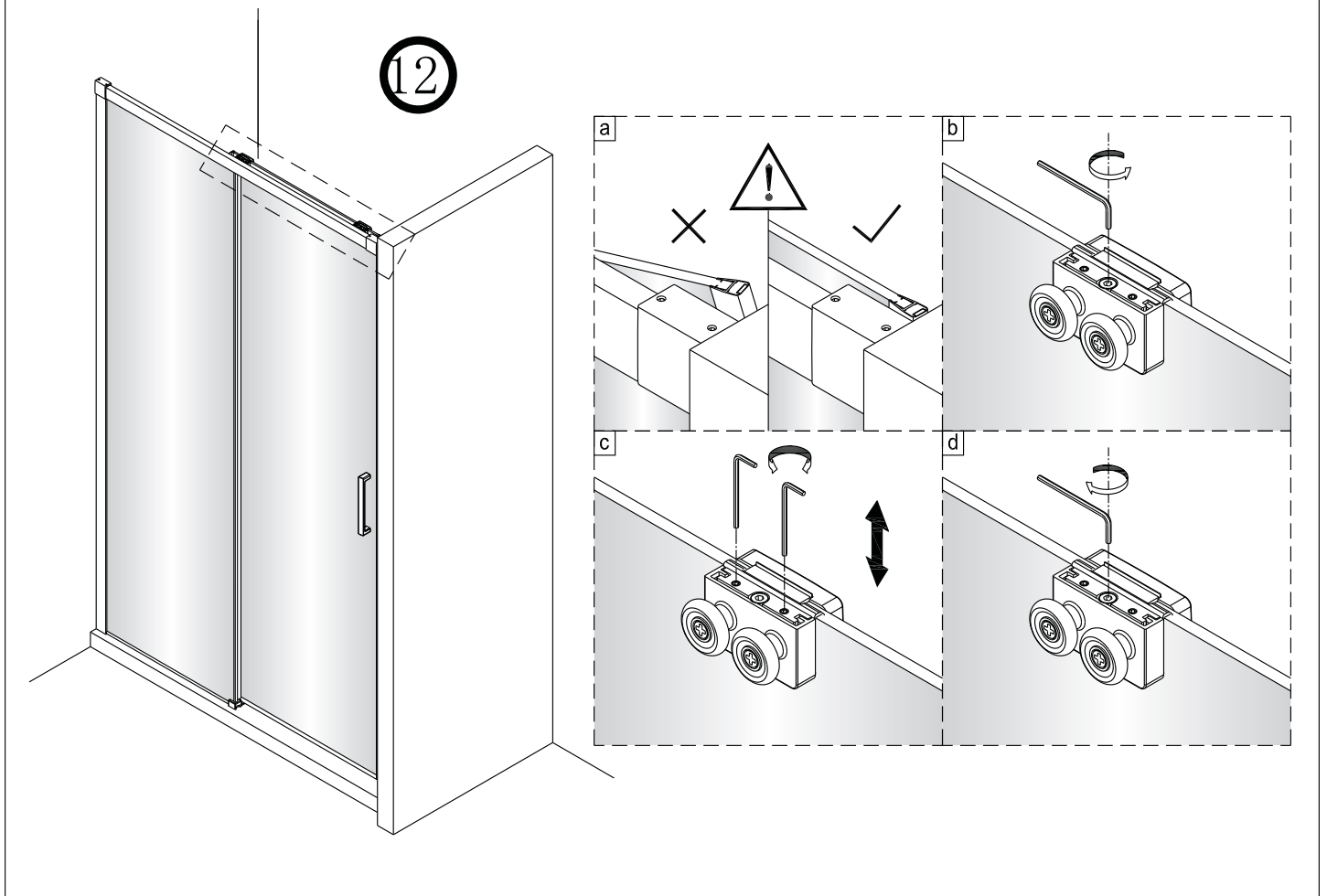
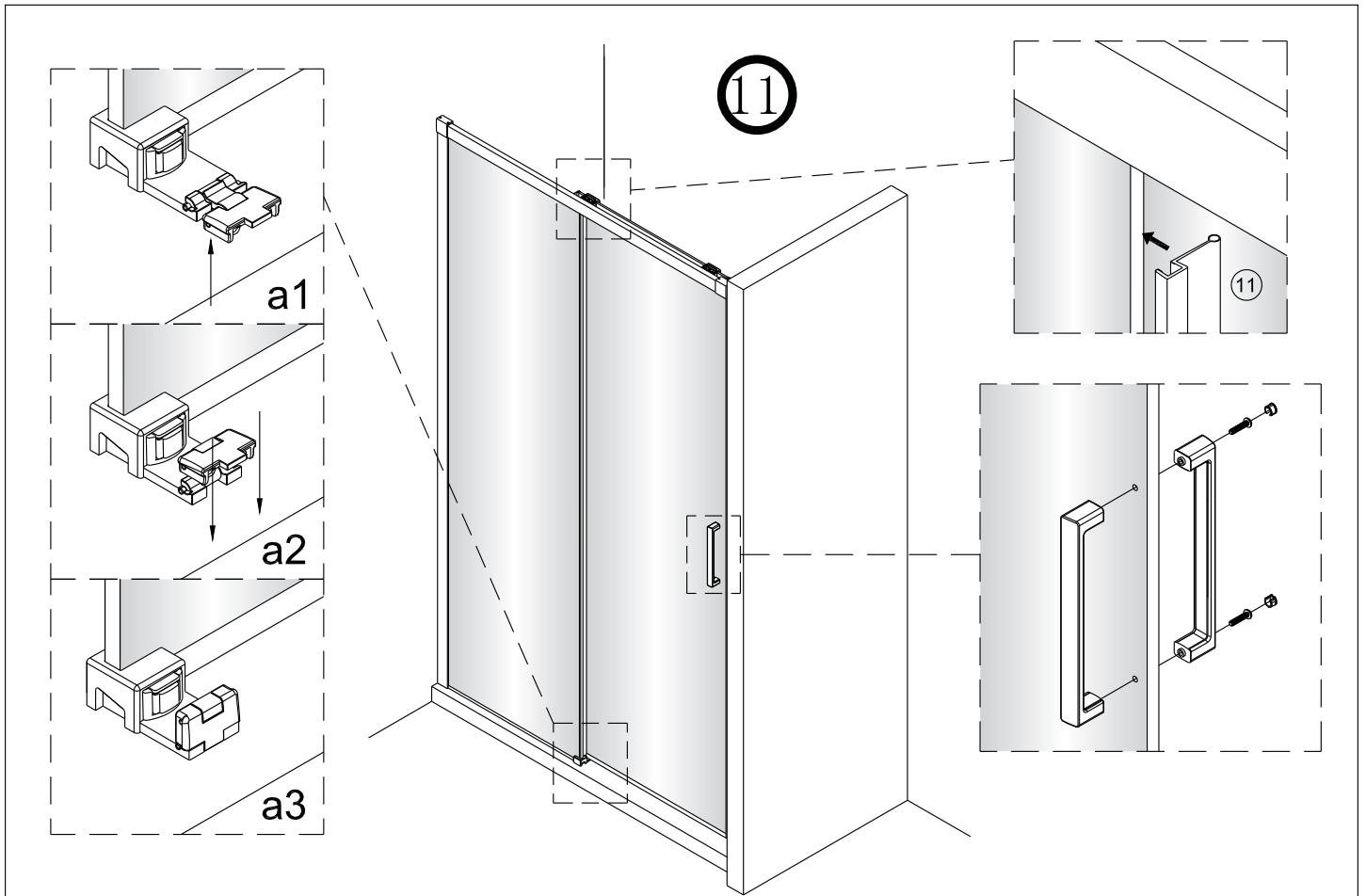
7b



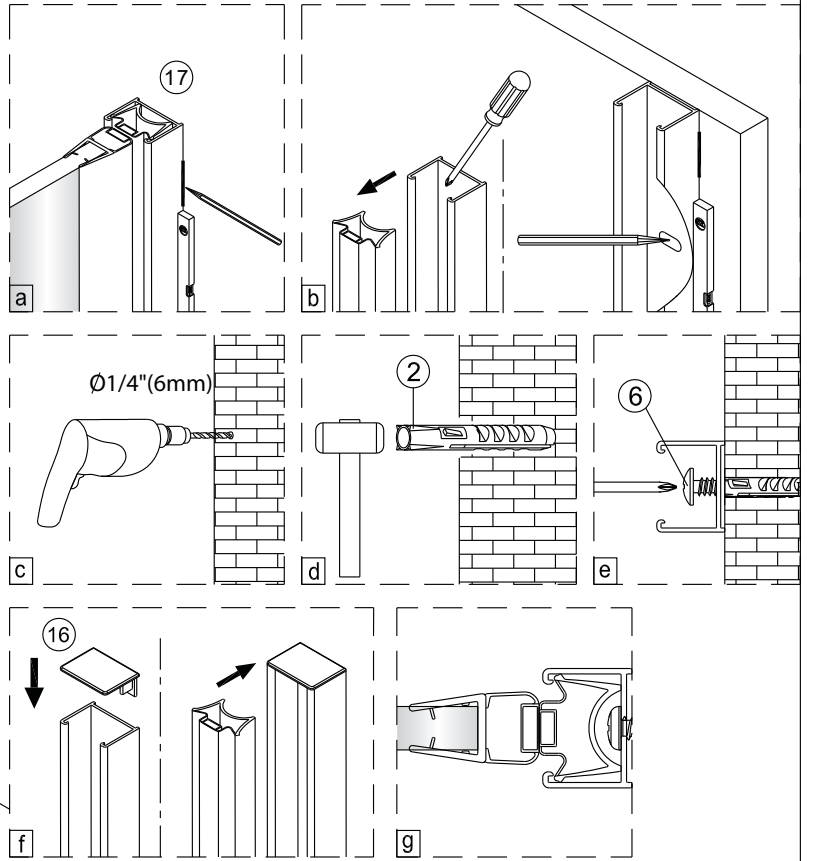
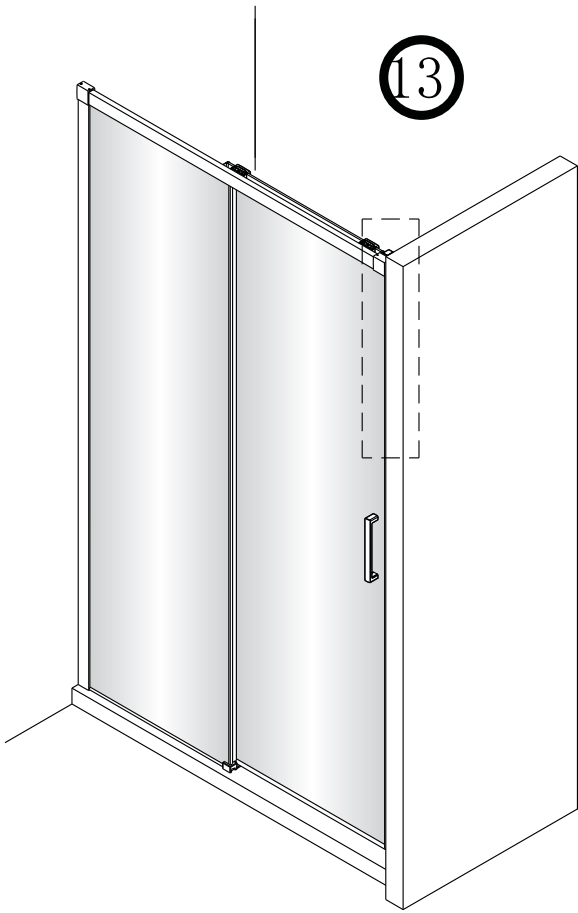
8



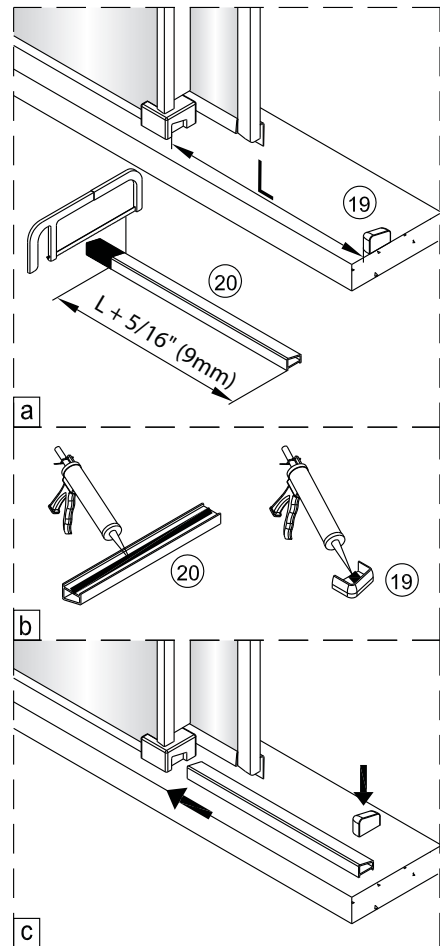
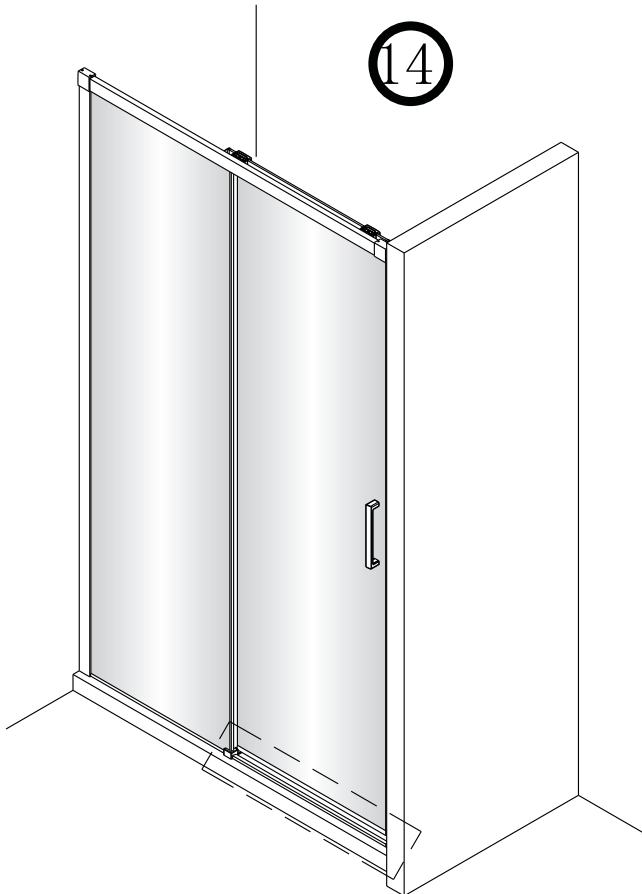




13



14



15

